
Integrated Android Open Platform UT12

UT12 is an integrated audiovisual open endpoint platform, which applies Android operating system. It has series of audio/video interface configuration, which makes many functions available, such as audio and video interaction, desktop sharing, multimedia sharing, recording etc. It can be widely used in Video conferencing, Remote training, Tele-medicine, Collaborative office, Command&Control center and many other high-end professional applications.



Features:

- Integrated platform design: support audio input and output; support 1x HDMI input 1x HDMI output; with LAN interface; with 2x USB2.0 interface; with Bluetooth and 5GWifi interface. Camera and endpoint platform successfully integrated together.
- Built-in audio algorithm: echo cancellation algorithm includes AGC audio gain, AEC delay, voice noise reduction, Double Talk parameter adjustment; supports line in and xlr microphones;
- Compact design: UT12 adopts integrated compact design, built-in camera and multiple interfaces. With small size, rich interface and easy connection advantage, easy for clients installation and maintenance.
- Open hardware platform and SDK: UT12 fully supports the secondary development by users to achieve custom needs.
- Unmatched platform compatibility: Support users to customize developments such as H.323/SIP protocol stack, and achieve good interoperability with main standard endpoint and MCUs in the field. Convenient client to extend or update the product.
- Wireless WiFi: Support standard wireless protocols ; support simple and efficient equipment deployment.
- Local storage: Support SD card storage; U disk storage; storage space is up to 32G
- Superb high-definition image: The camera employs 1/2.8 inch, 2.07 million pixels high quality CMOS sensors with resolutions of up to 1920×1080 and frame rate up to 60fps.
- Wide angle zoom lens without distortion: The camera has the option of 12X optical zoom lenses. 12X zoom lens offers 72.5 ° wide view angle without distortion. Digital zoom 10x.
- Leading auto focus technology: The leading auto focus algorithm provides fast, accurate and stable auto-focusing.
- Low noise and high SNR: Low noise CMOS sensors ensures high SNR of camera video. Advanced 2D/3D noise reduction technology is also used to further reduce the noise, while ensuring image sharpness.
- Multiple video compression: Supports H.265/H.264 video compression.
- Low-power sleep function: Supports low power sleep/wake up with consumption in sleep mode.
- Quiet and quick pan/tilt mechanism: By adopting a step driving motor mechanism, the camera works extremely quietly and moves very smoothly.

Phone:+86-17771843647

Tel:+86-755-33288582

E-mail:claire@mingricctv.com

Web:www.minrraycam.com

Address: 5&6 Floor, Building 13-A, ZhongHaiXin Technology Park, Ganli Road, Lilang Avenue, Buji, Shenzhen 518112, China

Technical Parameters:

Input/Output Interface	
LAN	100M/10BASE-TX
WIFI	Support 802.11b/g/a protocol
HDMI Input/output	x HDMI Input, 1 x HDMI output, HDMI 1.4
USB	2 x USB2.0 output. Support Outsourcing Video and Storage Device
Audio Input/output	3.5mm linear output, Mini XLR Input.
IR Control	Camera Control, Meeting control by IR Controller
Power	HEC3800, DC12V
LED Display	Display necessary information like system status in the front panel.
SD CARD	Local Recording, up to 32G.

Android Platform Parameters	
CPU	Quad ARM Cortex A53, Main frequency 2.0GHz
3D GPU	Quad core GPU Mali450, Hislicon Dual GPU Open GL ES 2.0/1.1, Open VG 1.1
Memory	DDR3/3L interface; capacity 2GB; Dram 32bit; Maximum frequency is up to 800MHz/DDR1600
Video coding and decoding	H.265/HEVC Main/Main10 profile@Level5.1 High-tier; Max. support 4Kx2K@60fps, 10bit decoding H.264/AVC BP/MP/HP@ level 5.1; H264/AVC MVC, Max. support 4Kx2K@30fps decoding
Audio coding and decoding	MPEG L1/L2; Dolby True HD decoding; DTS HD/DTS M6 decoding; AAC -LC、 HE AAC V1/V2 decoding; G.711(u/a) audio decoding; APE/FLAC/Ogg /AMR - NB/WB decoding; Dolby MS11 decoding and sound effect; G.711(u/a) /AMR -NB/AMR -WB /AAC -LC audio coding; support HE -AAC trans-coding DD (AC3)

Camera Parameters	
Sensor	1/2.8 Inch High Quality HD CMOS Sensor

Phone:+86-17771843647

Tel:+86-755-33288582

E-mail:claire@mingricctv.com

Web:www.minrraycam.com

Address: 5&6 Floor,Building 13-A,ZhongHaiXin Technology Park,Ganli Road,Lilang Avenue,Buji,Shenzhen 518112,China



Effective Pixels	2.07MP, 16:9
Video Format	HDMI interface video format: 1080P60/50/30/25/59.94/29.97 1080i60/50/59.94 720P60/50/30/25 /59.94/29.97
Video Compression	H.265、H.264
Optical Zoom	12X Optical Zoom; f=3.9~46.8mm
View Angle	6.3° (tele) ~72.5° (wide)
Aperture	F1.8 ~ F2.4
Minimum Illumination	0.5Lux(F1.8, AGC ON)
Digital ZOOM	X10
Digital Noise Reduction	2D & 3D NR
White Balance	Auto/Manual/OnePush/3000K/3500K/4000K/4500K/5000K/5500K/6000K/6500K/7000K
Focus	Auto/Manual/One Push
Aperture/ Shutter	Auto/Manual
BLC	On/Off
WDR	OFF/ Dynamic level adjustment
Video Adjustment	Brightness, Color, Saturation, Contrast, Sharpness, B/W mode, Gamma curve
SNR	>55dB
Control Protocol	VISCA, UVC

Pan Tilt Parameter	
Pan Rotation	-170°~+170°
Tilt Rotation	-30°~+30°
Pan control speed	0.1 ~100°/s
Tilt control speed	0.1~80°/s
Presets Number	255 points (10points by Controller)
Preset Speed	Pan: 180°/s, Tilt: 80°/s
Others	
Power Adapter	AC110V-AC220V to DC12V/2.5A
Input Volatge	DC12V±10%
Currency	1A(Max)
Power	12W(Max)
Storage Temperature	-10℃~+60℃
Storage Humidity	20%~95%
Working Temperature	-10℃~+50℃
Working Humidity	20%~80%
Dimension (WXHxD)	253mmX168mmX144mm
Weight (Appx.)	1.55kg

Phone:+86-17771843647

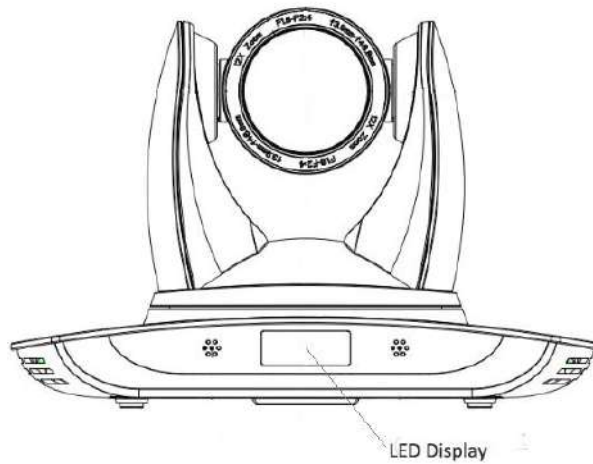
Tel:+86-755-33288582

E-mail:claire@mingricctv.com

Web:www.minrraycam.com

Address: 5&6 Floor,Building 13-A,ZhongHaiXin Technology Park,Ganli Road,Lilang Avenue,Buji,Shenzhen 518112,China

Application	Indoor
-------------	--------

Product Explanation:**1、Camera front side**

Phone:+86-17771843647

Tel:+86-755-33288582

E-mail:claire@mingricctv.com

Web:www.minrraycam.com

Address: 5&6 Floor,Building 13-A,ZhongHaiXin Technology Park,Ganli Road,Lilang Avenue,Buji,Shenzhen
518112,China

2. Camera back side and Connection Diagram



- Connect Power Supply
 1. Connect 12V DC power supply
 2. Connect the adapter to DC power after all devices are connected, power on the camera
- Connect the video input device
 3. Connect the auxiliary input device with an HDMI cable
- Connect the audio output device
 4. Connect the Speaker device but no need to do so if use the HDMI TV to output audio.
- Connect the audio input device (alternative)
 5. Connect MINI XLR port, transmit linear signal
 6. Connect MINI XLR port, transmit differential signal with phantom power.
- Connect USB device
 7. 2 USB ports to connect keyboard, mouse or USB disk,
- Connect the video output device
 8. Connect the video output device by HDMI cable
- Connect Network

Phone:+86-17771843647

Tel:+86-755-33288582

E-mail:claire@mingricctv.com

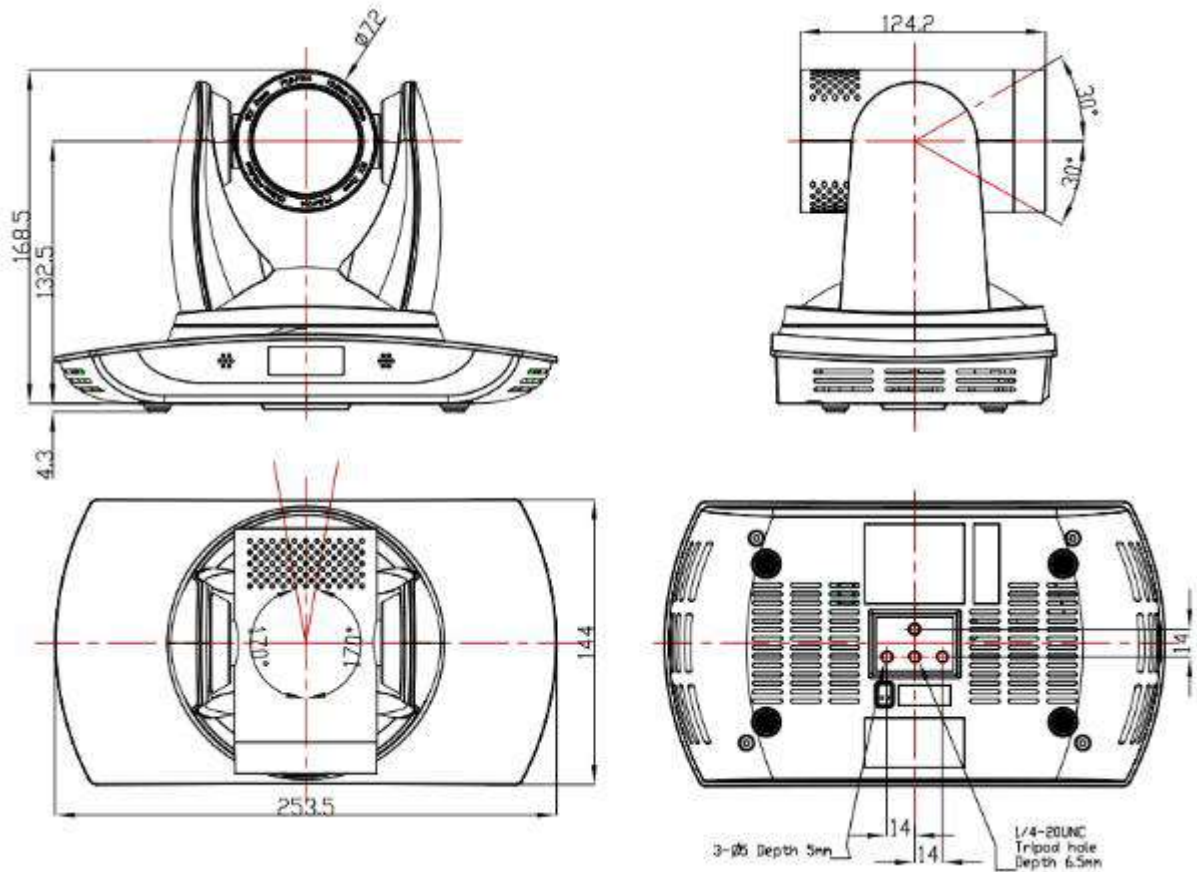
Web:www.minrraycam.com

Address: 5&6 Floor, Building 13-A, ZhongHaiXin Technology Park, Ganli Road, Lilang Avenue, Buji, Shenzhen 518112, China

9. Use standard network cable to connect the port (pass this step if use WIFI to connect)

10. Connect WIFI antenna

Dimension (Unit: mm)



Phone:+86-17771843647

Tel:+86-755-33288582

E-mail:claire@mingricctv.com

Web:www.minrraycam.com

Address: 5&6 Floor,Building 13-A,ZhongHaiXin Technology Park,Ganli Road,Lilang Avenue,Buji,Shenzhen 518112,China