

## Ultra HD 4K PTZ Camera-UV401A

Ultra HD, Wide View Angle, Multi-protocols

UV401 **Ultra HD 4K PTZ Camera-UV401A** offers perfect functions, superior performance and rich interfaces. **It is featured with brushless motor and advanced ISP processing algorithm to provide high quality image and smooth motion. It supports H.264/H.265 encoding which makes motion video more fluent and clear under low bandwidth conditions.**



### Key Features:

- **Pan/tilt Feature**

Brushless DC motor

Almost no noise under high speed rotation;

Camera can return to original position quickly if it's forced to move.

- **4K Ultra HD**

1/2.5 inch high quality 4K SONY CMOS sensor;  
8.51 megapixel, resolution is up to 4K  
(3840x2160) with frame rate up to 60fps.

- **Optical Zoom Lens**

12X optical zoom lens, with 80.4° FOV without distortion.

- **Trinity image auto-focusing technology**

Focus on intelligent image processing, to provide automatic white balance (AWB), automatic exposure (AE), automatic focusing (AF) function, fully automatically adapt to the environment, to achieve the best image effect, perfect trinity image automatic adjustment.

- **Low Noise and High SNR**

Low noise CMOS ensures super high SNR image. The advanced 2D/3D noise reduction technology reduces the noise while ensuring high image clarity.

- **Multiple Audio/Video Compression Standard**

LAN supports H.264/H.265 video compression; USB3.0 supports MJPG, H264, YUY2, NV12; A-IN supports AAC, MP3 and G.711A audio compression;

- **Audio Input Interface**

Phone: [+86-17771843647](tel:+86-17771843647)

Tel: [+86-755-33288582](tel:+86-755-33288582)

E-mail: [claire@mingricctv.com](mailto:claire@mingricctv.com)

Web: [www.minrraycam.com](http://www.minrraycam.com)

Address: 5&6 Floor, Building 13-A, ZhongHaiXin Technology Park, Ganli Road, Lilang Avenue, Buji, Shenzhen 518112, China

Supports 8000, 16000,32000,44100,48000 sampling frequency, and AAC, MP3 and G.711A audio compression.

- **Built-in gravity sensor**  
Built-in gravity sensor supports PTZ auto-flip function and easy to install.
- **Multiple network protocol**  
Supports ONVIF, GB/T28181, RTSP, RTMP protocols; RTMP push mode, easy to be connected to streaming server (Wowza, FMS); RTP multicast mode; VISCA control protocol
- **Control Interface**  
RS422 (compatible with RS485); RS232 in & out; RS232 cascade connection
- **Multiple Control Protocol**  
Support VISCA, PELCO-D, PELCO-P protocols;  
Support automatic identification protocols.

- **Multiple preset**  
Up to 255 presets (10 presets for remote control).
- **IR & Wireless Remote Control**  
IR remote control (default)  
  
Wireless remote control (optional):  
  
2.4G wireless remote control is not affected by the angle, distance or infrared interference.  
Far-end-control is also available.
- **Multiple Applications**  
Online-education, Lecture Capture, Broadcasting, Video conferencing, Tele-medicine, Unified Communication, Emergency command and control systems, etc.

### **Model NO.:**

**UV401A: 80.4° FOV (12X Optical Zoom)**

### **Technical Specifications:**

<b>Model</b>	<b>UV401A</b>
--------------	---------------

Phone: [+86-17771843647](tel:+86-17771843647)

Tel: [+86-755-33288582](tel:+86-755-33288582)

E-mail: [claire@mingricctv.com](mailto:claire@mingricctv.com)

Web: [www.minrraycam.com](http://www.minrraycam.com)

Address: 5&6 Floor, Building 13-A, ZhongHaiXin Technology Park, Ganli Road, Lilang Avenue, Buji, Shenzhen 518112, China

<b>Optical Zoom</b>	12X
<b>Focus</b>	f=3.85 mm ~ 43.06 mm ±5%
<b>FOV</b>	Horizontal : 7.59° ( tele ) ~ 80.4° ( wide ) vertical : 4.6° ( tele ) ~ 50.0° ( wide )
<b>Aperture</b>	F1.8 ~ F3.56±5%
<b>Image Sensor</b>	1/2.5 Inch SONY CMOS Sensor
<b>Effective pixels</b>	8.51M; 16 : 9
<b>Video Format</b>	<p><b>HDMI Video Output Format:</b></p> <p>4KP60, 4KP50, 4KP30, 4KP25, 1080P60, 1080P50, 1080i 60, 1080i 50, 1080P30, 1080P25, 720P60, 720P50</p> <p><b>USB3.0 Video Output Format:</b></p> <p>YUY2/NV12:</p> <p>1920×1080P30, 1280×720P30,1024×576P30, 960×540P30, 800×448P30, 640×360P30, 640×480P30, 320×176P30</p> <p>MJPEG/H.264:</p> <p>3840×2160P30,1920×1080P30,1280×720P30,1024×576P30, 960×540P30, 800×448P30, 640×360P30, 640×480P30, 320×176P30</p> <p><b>USB3.0 compatible with USB2.0:</b></p> <p>YUY2/NV12: 640×360P30, 640×480P30, 320×176P30</p> <p>MJPEG/H.264: 3840×2160P30, 1920×1080P30, 1280×720P30, 1024×576P30, 960×540P30, 800×448P30, 640×360P30, 640×480P30, 320×176P30</p>
<b>Minimum Illumination</b>	0.05Lux (F1.8, AGC ON)
<b>DNR</b>	2D & 3D DNR
<b>White Balance</b>	Auto / Manual/ One Push/ Specified Color Temperature
<b>Focus</b>	Auto / Manual/ One Push
<b>exposure mode</b>	Auto/ Manual / Shutter Priority / Aperture Priority / Brightness priority

Phone: +86-17771843647

Tel: +86-755-33288582

E-mail: [claire@mingricctv.com](mailto:claire@mingricctv.com)

Web: [www.minrraycam.com](http://www.minrraycam.com)

Address: 5&6 Floor, Building 13-A, ZhongHaiXin Technology Park, Ganli Road, Lilang Avenue, Buji, Shenzhen 518112, China

<b>Aperture</b>	F1.8 ~ F11, CLOSE
<b>shutter speed</b>	1/25 ~ 1/10000
<b>BLC</b>	OFF/ON
<b>Dynamic range</b>	OFF/ Dynamic Level Adjustment
<b>Video Adjustment</b>	Brightness, Color, Saturation, Contrast, Sharpness, B/W mode, Gamma curve
<b>SNR</b>	≥50dB

Input/Output Interface	
<b>Interfaces</b>	HDMI, LAN(POE), USB3.0 ( Type B, compatible with USB2.0 ) , A-IN, RS232-in & out; RS422 ( Compatible with RS485 ) , Dial switch, DC12V, Power Switch
<b>Video Compression Format</b>	LAN: H.264, H.265 USB 3.0: MJPG, H264, YUY2, NV12
<b>Audio Input Interface</b>	Double track 3.5mm linear Input
<b>Audio out</b>	HDMI, LAN, USB3.0
<b>Audio Compression</b>	AAC, MP3, G.711A
<b>Network Interface</b>	10M/100M/1000M adaptive Ethernet port, support POE and audio/video output
<b>Network Protocol</b>	RTSP, RTMP, ONVIF, GB/T28181, Network VISCA Control Protocols, Support Remote Upgrade, reboot and reset
<b>Control Interface</b>	RS232-IN, RS232-OUT, RS422 (Compatible with RS485)
<b>Serial Communication Protocol</b>	VISCA/ Pelco-D / Pelco-P; Baud rate: 115200/38400/9600/4800/2400
<b>USB Communication Protocol</b>	UVC ( video ) , UAC ( audio )
<b>Power</b>	HEC3800 outlet (DC12V)

Phone: +86-17771843647

Tel: +86-755-33288582

E-mail: [claire@mingricctv.com](mailto:claire@mingricctv.com)

Web: [www.minrraycam.com](http://www.minrraycam.com)

Address: 5&6 Floor, Building 13-A, ZhongHaiXin Technology Park, Ganli Road, Lilang Avenue, Buji, Shenzhen 518112, China

<b>Power Adapter</b>	Input: AC110V-AC220V ; Output: DC12V/2.5A
<b>Input Voltage</b>	DC12V±10%
<b>Input Current</b>	<1A
<b>Power Consumption</b>	<12W

PTZ Parameter	
<b>Pan Rotation</b>	-170° ~ +170°
<b>Tilt Rotation</b>	-30° ~ +90°
<b>Pan Control Speed</b>	0.1°/s ~ 120°/s
<b>Tilt Control Speed</b>	0.1°/s ~ 80°/s
<b>Preset Speed</b>	Pan: 120°/s , Tilt: 80°/s
<b>Preset Number</b>	255 Presets (10 presets by remote control)

Other Parameter	
<b>Stored Temperature</b>	-10℃ ~ +60℃
<b>Stored Humidity</b>	20% ~ 95%
<b>Working Temperature</b>	-10℃ ~ +50℃
<b>Working Humidity</b>	20% ~ 80%
<b>Dimension</b>	157.5 ( L ) mm×189mm ( W ) ×201mm ( H )
<b>Weight(around)</b>	2.60kg
<b>Application</b>	Indoor

Phone: +86-17771843647

Tel: +86-755-33288582

E-mail: [claire@mingricctv.com](mailto:claire@mingricctv.com)

Web: [www.minrraycam.com](http://www.minrraycam.com)

Address: 5&6 Floor, Building 13-A, ZhongHaiXin Technology Park, Ganli Road, Lilang Avenue, Buji, Shenzhen 518112, China



Shenzhen Minrray Industry Co.,Ltd.

Accessory	
<b>Package</b>	Power supply,RS232 control cable,USB3.0 connection cable, Remote controller, User Manual
<b>Optional Accessories</b>	Ceiling / Wall Mount (Extra Cost)

Phone:[+86-17771843647](tel:+86-17771843647)

Tel:[+86-755-33288582](tel:+86-755-33288582)

E-mail:[claire@mingricctv.com](mailto:claire@mingricctv.com)

Web:[www.minrraycam.com](http://www.minrraycam.com)

Address: 5&6 Floor,Building 13-A,ZhongHaiXin Technology Park,Ganli Road,Lilang Avenue,Buji,Shenzhen 518112,China

**Back Panel Interface:**



Phone: [+86-17771843647](tel:+86-17771843647)

Tel: [+86-755-33288582](tel:+86-755-33288582)

E-mail: [claire@mingricctv.com](mailto:claire@mingricctv.com)

Web: [www.minrraycam.com](http://www.minrraycam.com)

Address: 5&6 Floor, Building 13-A, ZhongHaiXin Technology Park, Ganli Road, Lilang Avenue, Buji, Shenzhen 518112, China

**Dimension: (unit: mm)**

Phone: +86-17771843647

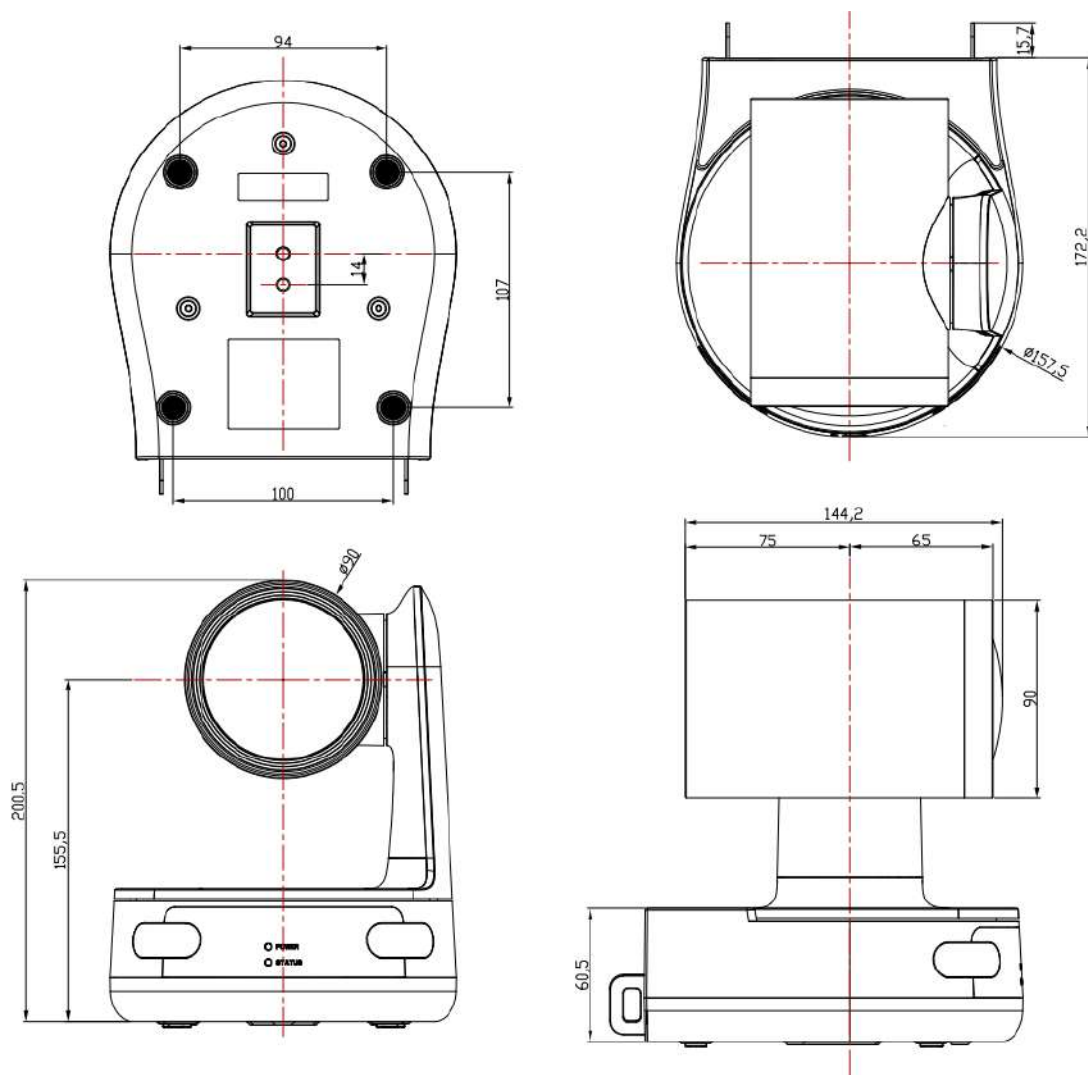
Tel: +86-755-33288582

E-mail: claire@mingricctv.com

Web: www.minrraycam.com

Address: 5&6 Floor, Building 13-A, ZhongHaiXin Technology Park, Ganli Road, Lilang Avenue, Buji, Shenzhen  
518112, China





Phone: +86-17771843647

Tel: +86-755-33288582

E-mail: [claire@mingricctv.com](mailto:claire@mingricctv.com)

Web: [www.minrraycam.com](http://www.minrraycam.com)

Address: 5&6 Floor, Building 13-A, ZhongHaiXin Technology Park, Ganli Road, Lilang Avenue, Buji, Shenzhen 518112, China